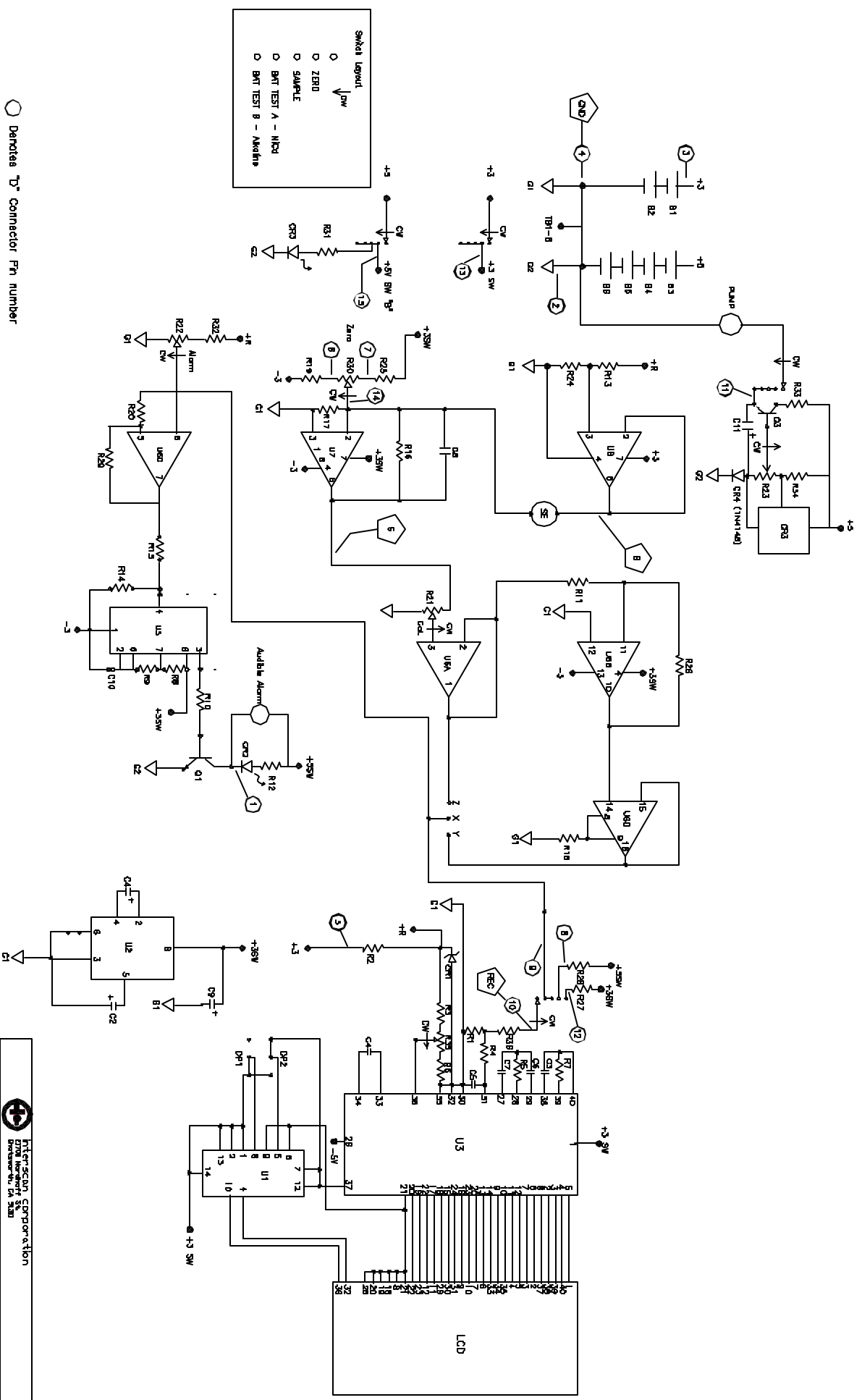


○ Denotes Tr Connector Pin number  
 ◊ Denotes Test Point



Smoked Input  
 ○ ZERU  
 ○ SAMPLE  
 ○ BMT TEST A - NIBCD  
 ○ BMT TEST B - ANKIDIB

		International Corporation 3000 Northpointe Blvd Detroit, MI 48206	
Revision <b>REV A</b> Date 07/29/99	Title <b>Compact Digital Schematic</b>	Design By GM	Checked By GM
Approval 	Scale 	Drawing No. <b>S11000</b>	